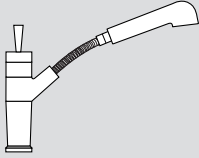
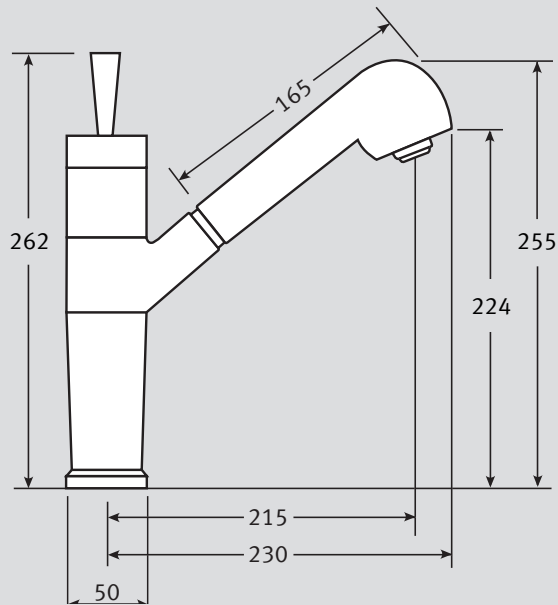


Pilatus PowerStream Tap Specifications

- Single Lever Action
- Pull-out hand spray for easy application



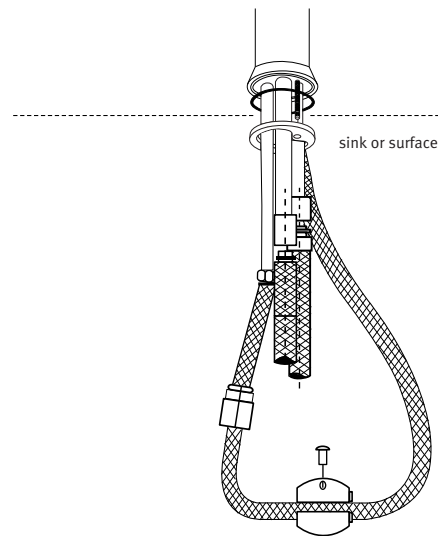
- Ceramic disc cartridge mechanism
- Solid brass and ABS body
- Compatible with most Franke sinks
- Available in Chrome or SilkSteel
- Requires 35mm tap hole
- Conforms to W.R.C requirements
- Fully guaranteed with nationwide servicing



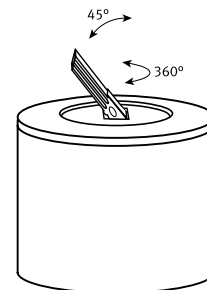
Material:	Brass body and spout with ABS fittings
Type:	Top mount single lever mixer
Spout:	Pull-out spray. Nylon hose with 'easy touch' spray head close up. Secured by screw through body
Tails:	Flexi tails Non return valves supplied
Tap Height:	224 (overall tap height 262)
Spout Reach:	215
Handle Width:	N/A
Colours:	Chrome or SilkSteel
Maximum Water Pressure:	75 PSI (5 bar)
Maximum hot-water Temperature:	70°C
Recommended hot-water Temperature:	65°C
Guarantee:-	Ceramic mechanism: 5 years Surface: 1 year
Joints:	It is recommended that compression fittings are used to link the tap to the supply

Some taps may require bracing to avoid flexing of the sink ledge

Tails:



Valve Mechanism:



* South Services: 0870 241 5632 * Central Services: 01782 599258 All Franke taps are designed to conform with Water Research Council Requirements.

NB. Ceramic disc taps in certain installations or where there is a low head of water (below 4 metres) may not provide adequate flow rates. In some instances, pull-out nozzle and spray taps may require additional pumping or local authority approval prior to installation. Franke strongly recommends that you consult your supplier/installer prior to purchase.