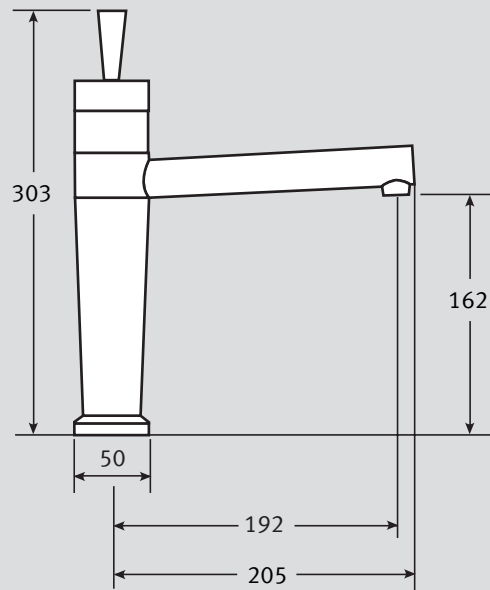


Pilatus Tap Specifications

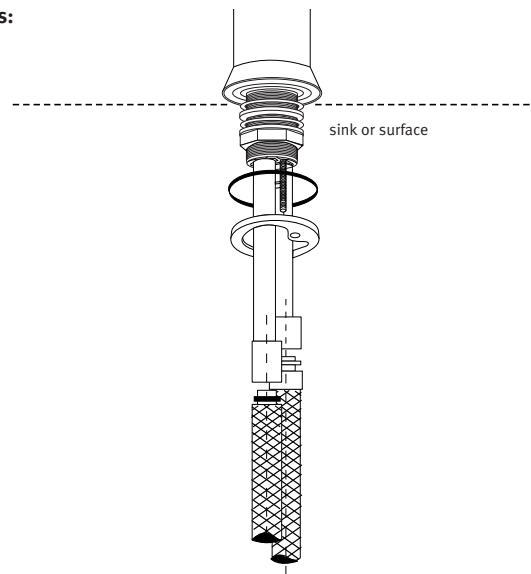
- Single Lever Action
- Ceramic disc cartridge mechanism
- Solid brass and ABS body
- Compatible with most Franke sinks
- Available in Chrome or SilkSteel
- Requires 35mm tap hole
- Conforms to W.R.C requirements
- Fully guaranteed with nationwide servicing



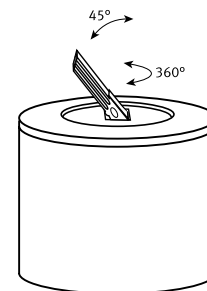
Material:	Brass body and spout with ABS fittings
Type:	Top mount single lever mixer
Spout:	Long reach and swivel action spout Single flow continental spout.
Tails:	Flexi tails. Non return valves supplied.
Tap Height:	162 (overall tap height 303)
Spout Reach:	192
Handle Width:	N/A
Colours:	Chrome or SilkSteel
Maximum Water Pressure:	75 PSI (5 bar)
Maximum hot-water Temperature:	70°C
Recommended hot-water Temperature:	65°C
Guarantee:-	Ceramic mechanism: 5 year Surface: 1 year
Joints:	It is recommended that compression fittings are used to link the tap to the supply

Some taps may require bracing to avoid flexing of the sink ledge

Tails:



Valve Mechanism: Cartridge



* Central Services: 01782 599258 All Franke taps are designed to conform with Water Research Council Requirements.

NB. Ceramic disc taps in certain installations or where there is a low head of water (below 4 metres) may not provide adequate flow rates. You are advised to check with your supplier.