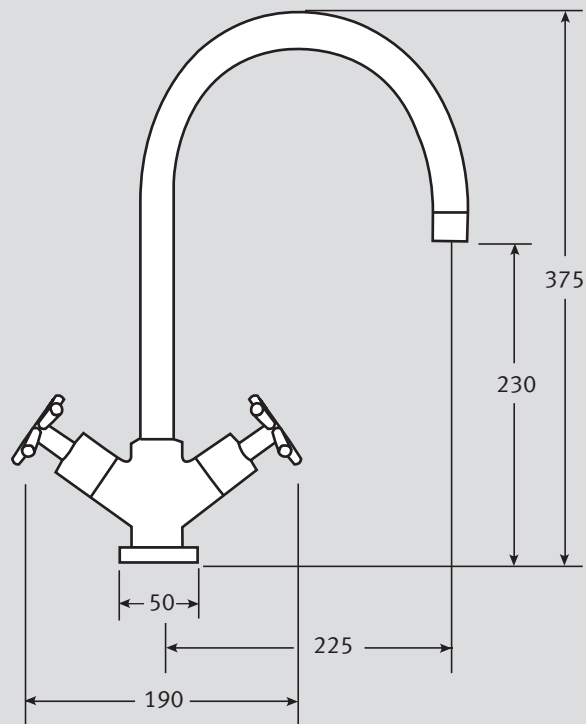


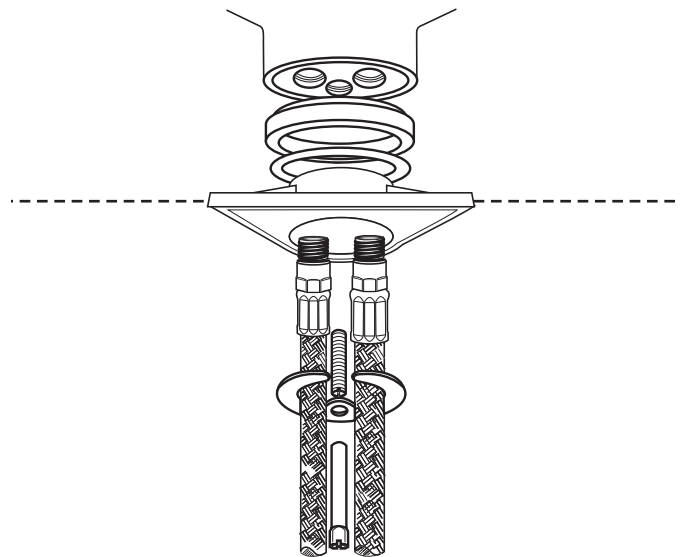
# Helena CV Tap Specifications

- Modern design with Compression Valves
- Capstan handwheels
- Perlator water delivery
- High arc spout
- Available in Chrome or SilkSteel
- Co-ordinates with a wide range of sinks
- Requires 35mm tap hole
- Fully guaranteed with nationwide servicing\*

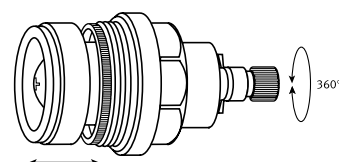


|                                                                   |                                                                                     |         |
|-------------------------------------------------------------------|-------------------------------------------------------------------------------------|---------|
| <b>Material:</b>                                                  | Solid brass body and brass spout                                                    |         |
| <b>Type:</b>                                                      | Compression Valves                                                                  |         |
| <b>Spout:</b>                                                     | Tubular single flow spout with 'Perlator' delivery                                  |         |
| <b>Tails:</b>                                                     | Flexi tails with built-in non-return valve                                          |         |
| <b>Tap Height:</b>                                                | 230 (overall tap height 375)                                                        |         |
| <b>Spout Reach:</b>                                               | 225                                                                                 |         |
| <b>Handle Width:</b>                                              | 190                                                                                 |         |
| <b>Colours:</b>                                                   | Chrome or SilkSteel                                                                 |         |
| <b>Maximum Water Pressure:</b>                                    | 75 PSI (5 bar)                                                                      |         |
| <b>Maximum Hot-Water Temperature:</b>                             | 70°C                                                                                |         |
| <b>Recommended hot water Temperature:</b>                         | 65°C                                                                                |         |
| <b>Guarantee:-</b>                                                | <b>Valve:</b>                                                                       | 5 years |
|                                                                   | <b>Surface:</b>                                                                     | 1 year  |
| <b>Joints:</b>                                                    | It is recommended that compression fittings are used to link the tap to the supply. |         |
| Some taps may require bracing to avoid flexing of the sink ledge. |                                                                                     |         |

**Tails:** 1 x 8mm Flexi tails (cold)  
1 x 10mm Flexi tails (hot)  
colour coded



**Valve Mechanism:** Compression Valve



\* South Services: 0870 241 5632 \*Central Services: 01782 599258

All Franke taps are designed to conform with Water Research Council Requirements and are backed by nationwide servicing and guarantees.

**NB.** Ceramic disc taps in certain installations or where there is a low head of water (below 4 metres) may not provide adequate flow rates. You are advised to check with your supplier. The minimum supply pressure for **Hot** water should be 1 bar to operate the rinse. The optimum is 2 bar from a balanced system (hot and cold).

Pull out nozzle and spray taps may require additional pumping in some instances and local water authority approval prior to installation.