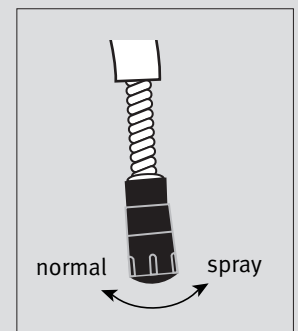
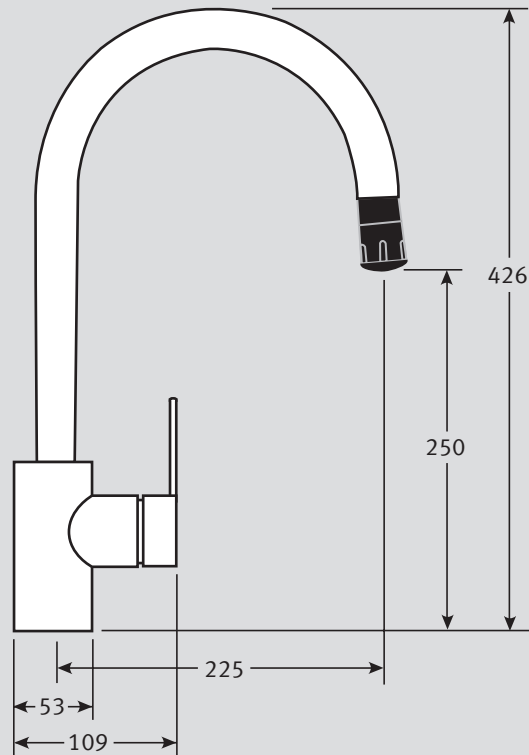


Semi-Pro Vario Spray Tap Specifications

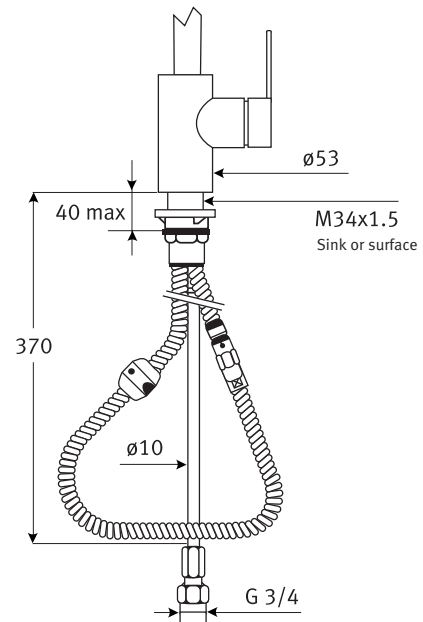
- Single lever
- Pullout variable spray rinse
- Ceramic Disc Mechanism Operation
- Solid brass body
- Compatible with most Franke sink types
- Available in Chrome or SilkSteel
- Requires 35mm tap hole
- Conforms to W.R.C. requirements
- Fully guaranteed with nationwide servicing*



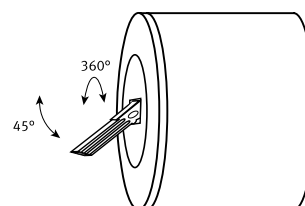
| | | |
|---|---|---------|
| Material: | Solid brass body and tubular brass spout | |
| Type: | Side lever mixer in brass | |
| Spout: | Tubular spout with bayonet fitting into body secured by grub screw | |
| Tails: | Factory fitted copper tails. Supplied with fixing kit for body | |
| Tap Height: | 250 (overall tap height 426) | |
| Spout Reach: | 225 | |
| Handle Width: | 109 | |
| Colours: | Chrome or SilkSteel | |
| Maximum Water Pressure: | 75 PSI (5 bar) | |
| Maximum Hot-Water Temperature: | 70°C | |
| Recommended hot water Temperature: | 65°C | |
| Guarantee:- | Ceramic disc: | 5 years |
| | Surface: | 1 year |
| Joints: | It is recommended that compression fittings are used to link the tap to the supply. | |

Some taps may require bracing to avoid flexing of the sink ledge.

Tails:



Valve Mechanism:



* South Services: 0870 241 5632 * Central Services: 01782 599258 All Franke taps are designed to conform with Water Research Council Requirements.

NB. Ceramic disc taps in certain installations or where there is a low head of water (below 4 metres) may not provide adequate flow rates. In some instances, pull-out nozzle and spray taps may require additional pumping or local authority approval prior to installation. Franke strongly recommends that you consult your supplier/installer prior to purchase.