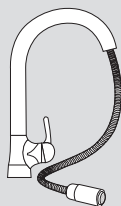
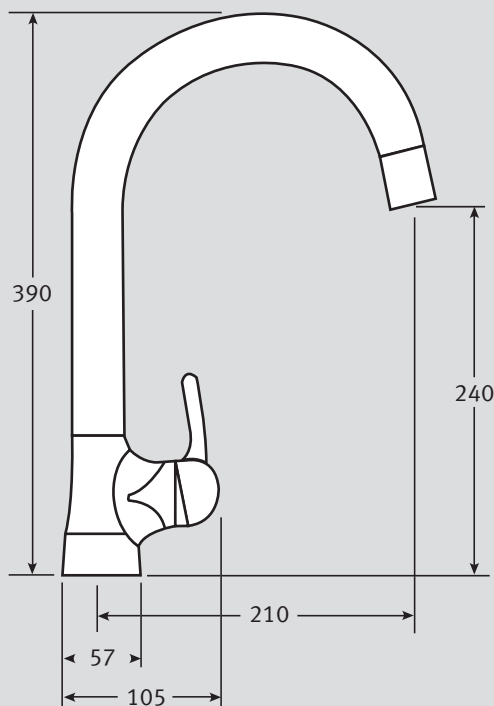


# Mythos Tap Specifications

- **Single Lever Action**
- **Pull out nozzle** enabling water to be directioned accurately



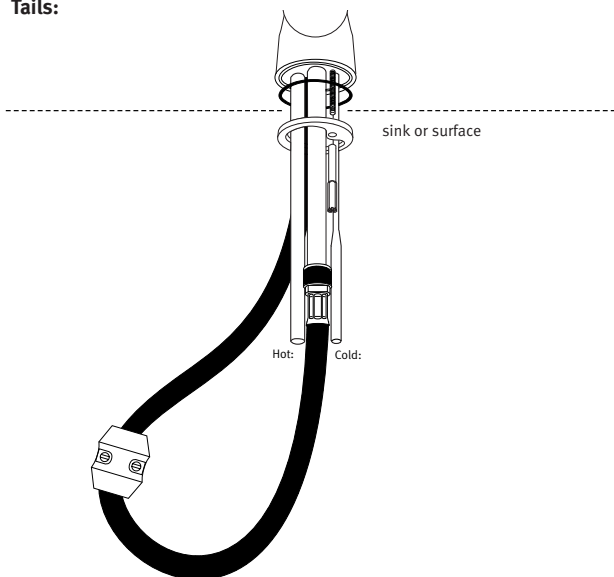
- **Ceramic disc cartridge mechanism**
- **Solid brass and ABS body**
- **Compatible with most Franke sinks**
- **Available in Chrome or SilkSteel**
- **Requires 35mm tap hole**
- **Conforms to W.R.C requirements**
- **Fully guaranteed** with nationwide servicing



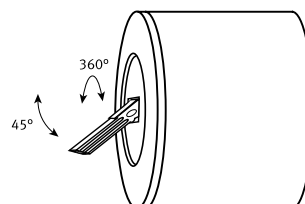
<b>Material:</b>	Brass body and spout with ABS fittings
<b>Type:</b>	Top mount single lever mixer
<b>Spout:</b>	Long reach and swivel action spout Single flow continental spout.
<b>Tails:</b>	Factory fitted rigid hot and cold tails supplied with fixing kit for body
<b>Tap Height:</b>	240 (overall tap height 390)
<b>Spout Reach:</b>	210
<b>Handle Width:</b>	105
<b>Colours:</b>	SilkSteel
<b>Maximum Water Pressure:</b>	75 PSI (5 bar)
<b>Maximum hot-water Temperature:</b>	70°C
<b>Recommended hot-water Temperature:</b>	65°C
<b>Guarantee:-</b>	<b>Ceramic mechanism:</b> 5 years <b>Surface:</b> 1 year
<b>Joints:</b>	It is recommended that compression fittings are used to link the tap to the supply

Some taps may require bracing to avoid flexing of the sink ledge

## Tails:



## Valve Mechanism:



\* South Services: 0870 241 5632 \* Central Services: 01782 599258 All Franke taps are designed to conform with Water Research Council Requirements.

NB. Ceramic disc taps in certain installations or where there is a low head of water (below 4 metres) may not provide adequate flow rates. In some instances, pull-out nozzle and spray taps may require additional pumping or local authority approval prior to installation. Franke strongly recommends that you consult your supplier/installer prior to purchase.