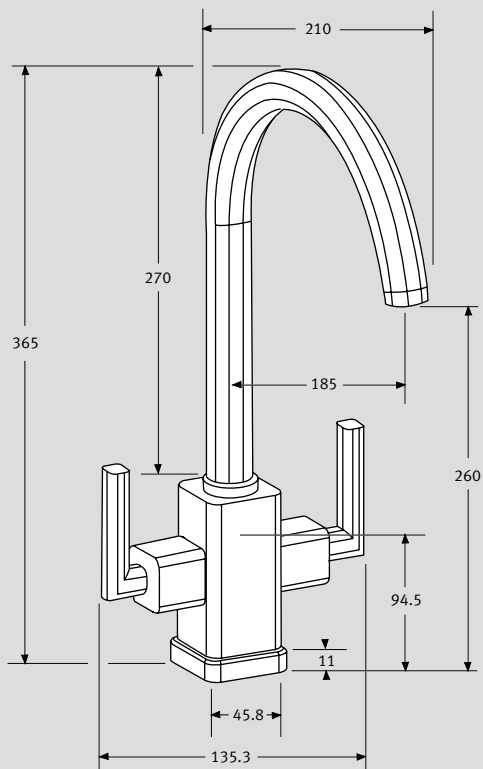


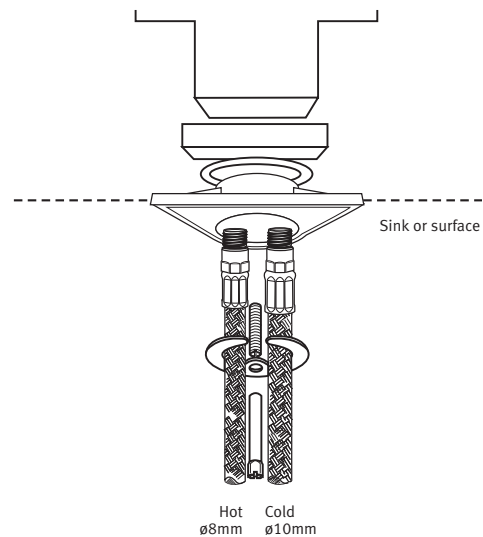
# Mythos MTX Tap Specifications

- Modern stylish body with 25mm radii
- Lever action
- Quarter turn discs
- Complements Mythos and Kubus sinks

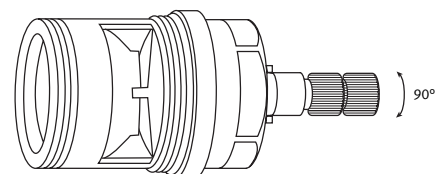


<b>Material:</b>	Plated Brass
<b>Type:</b>	Ceramic Disc
<b>Spout:</b>	Tubular single flow spout
<b>Tails:</b>	Flexi Tails
<b>Tap Height:</b>	260 (overall tap height 365)
<b>Spout Reach:</b>	185
<b>Handle Width:</b>	135
<b>Colours:</b>	Chrome or SilkSteel
<b>Maximum Water Pressure:</b>	75 PSI (5 bar)
<b>Maximum hot-water Temperature:</b>	65°C
<b>Recommended hot water Temperature:</b>	60°C
<b>Guarantee:-</b>	<b>Valve:</b> 5 years <b>Surfaces:</b> 1 year
<b>Joints:</b>	It is recommended that compression fittings are used to link the tap to the supply.

## Tails:



## Valve Mechanism:

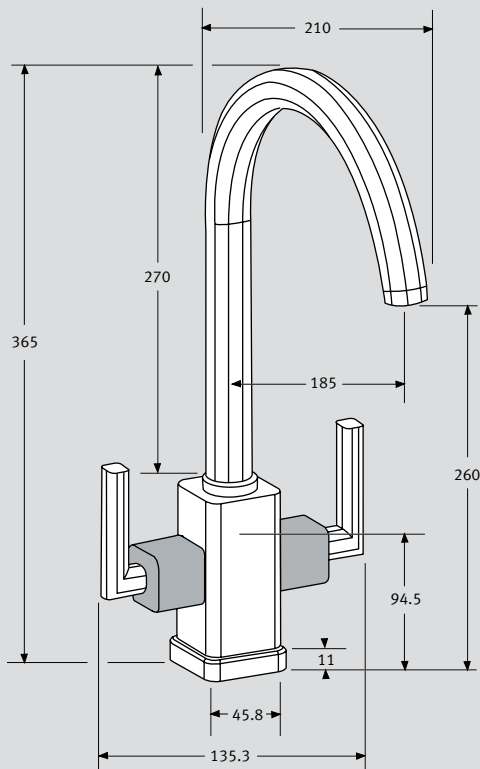


\* Central Services: 01782 599258 All Franke taps are designed to conform with Water Research Council Requirements.

NB. Ceramic disc taps in certain installations or where there is a low head of water (below 4 metres) may not provide adequate flow rates. You are advised to check with your supplier.

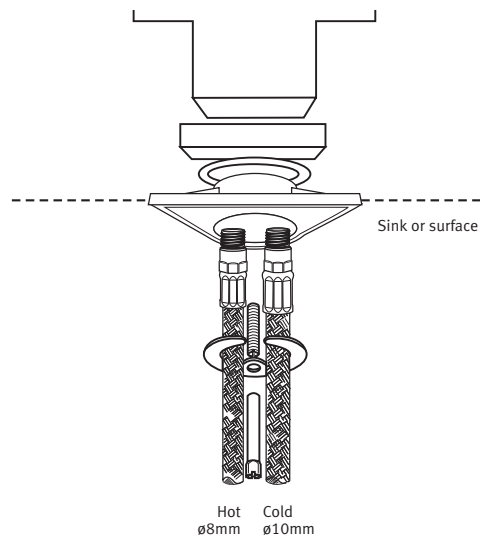
# Mythos MTG Tap Specifications

- Modern stylish body with 25mm radii
- Lever action
- Quarter turn discs
- Complements Mythos and Kubus sinks

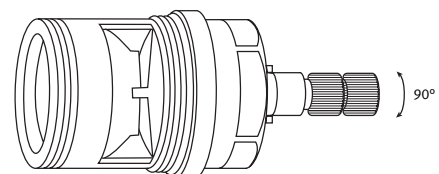


<b>Material:</b>	Plated Brass
<b>Type:</b>	Ceramic Disc
<b>Spout:</b>	Tubular single flow spout
<b>Tails:</b>	Flexi Tails
<b>Tap Height:</b>	260 (overall tap height 365)
<b>Spout Reach:</b>	185
<b>Handle Width:</b>	135
<b>Colours:</b>	Chrome or SilkSteel with Graphite shoulders
<b>Maximum Water Pressure:</b>	75 PSI (5 bar)
<b>Maximum hot-water Temperature:</b>	65°C
<b>Recommended hot water Temperature:</b>	60°C
<b>Guarantee:-</b>	<b>Valve:</b> 5 years <b>Surfaces:</b> 1 year
<b>Joints:</b>	It is recommended that compression fittings are used to link the tap to the supply.

## Tails:



## Valve Mechanism:



\* Central Services: 01782 599258 All Franke taps are designed to conform with Water Research Council Requirements.

NB. Ceramic disc taps in certain installations or where there is a low head of water (below 4 metres) may not provide adequate flow rates. You are advised to check with your supplier.